

1550nm Fibre-Coupled Acousto-Optic Modulator

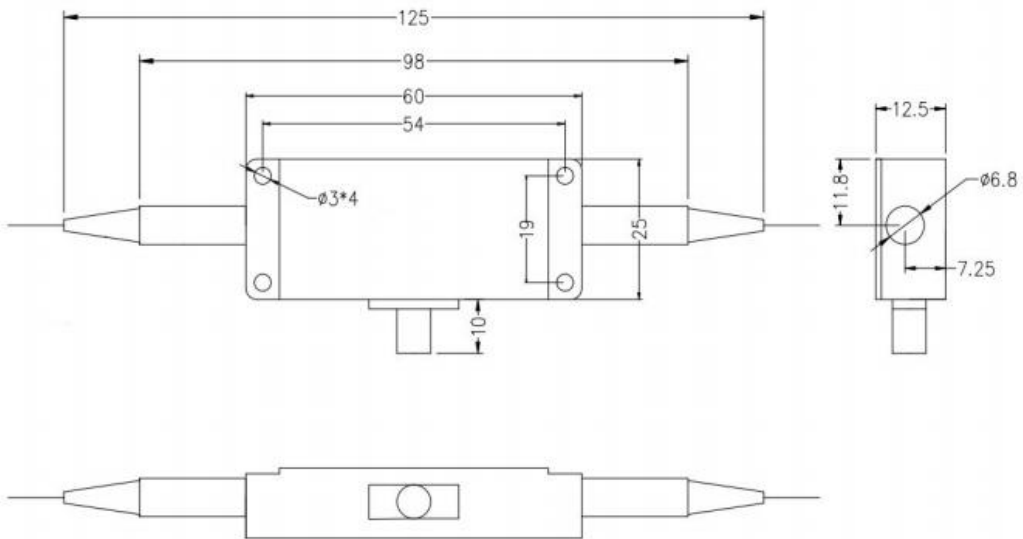
❖ **Model**

YB-AOM-1550-80-A

❖ **General Specification**

Parameter	Unit	Min	Max	Typical	Comments
Material				TeO2	
Wavelength	nm	1520	1580	1550	
Average optical power handling	W		0.5		
Peak (pulse) optical power handling	W		0.5		
Ultrasonic Velocity	m/s			4200	
Insertion Loss	B		3	2.5	
Extinction Ratio (1st order on / off)	B	50			
Return Loss (RF ON)	B	40			
Rise-time / Fall-time: (10% - 90%)	ns		30		
Frequency	MHz			80	
Frequency Shift	MHz			+80	
Radio Frequency Power	W			2.5	
VSWR				1.2:1	
Input Impedance	Ω			50	
Device Interface				SMA	
Fibre Type				SMF-28e	
Fibre Length	m			1	
Fibre Termination				FC/APC	
Working temperature	C			-20~60	
Storage Temperature	C			-30~70	

❖ AOM Package Dimensions



❖ RF Driver Package Dimensions

